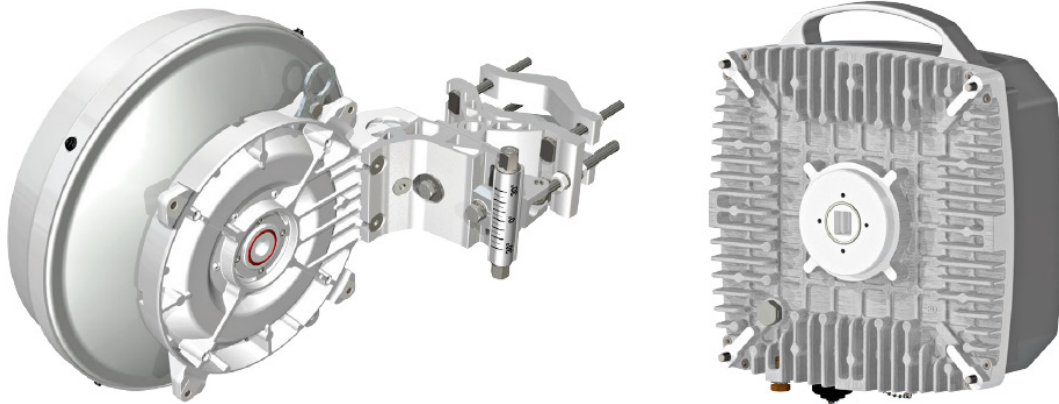


Tsunami® GX-824

Carrier Grade 24 GHz Unlicensed Microwave Backhaul



Point-to-Point (PtP) unlicensed microwave product operating in the 24 GHz band.

Proxim Wireless is a leader and an early innovator in wireless technology providing high-speed, long-range and mobile broadband wireless solutions.

Tsunami® GX-824, is a very high throughput, extremely reliable and cost-effective, all outdoor unlicensed point-to-point (PtP) microwave solution operating in the 24 GHz band. With its capacity up to 900 Mbps full duplex (1,8 Gbps aggregate), hitless ACM and modulation schemes up to 1024QAM, Tsunami® GX-824 brings new dimension to microwave links market and can be used as adequate alternative to 60 and 80 GHz millimeter wave links.

Features

- 24 GHz Unlicensed Frequency bands
- 3.5 to 112 MHz channels
- Transmission capacity up to 900 Mbps
- 1.8 Gbps for 2+0 configuration
- Two Gigabit Ethernet + one SM/MM fiber interfaces
- Jumbo packets up to 10,240 Bytes
- Modulation type QPSK to 1024 QAM
- Hitless adaptive coding & modulation
- Forward error correction (FEC)
- Automatic TX power control (ATPC)
- All-Outdoor design with 1, 2, 3 or 4 foot antennas (30, 60, 90 or 120 cm)
- Full overvoltage protection of ODU unit

Applications

- Local / Metropolitan / Wide area networks
- IPTV distribution
- Multimedia applications
- Last miles

Management

- Proprietary GX-824 Manager
- Software configurable
- Independent diagnostic channel
- SNMP protocol
- WEB interface
- Command line interface
- System configuration 1+0, 1+1 or 2+0

Ethernet

- QoS support (VLAN p-bit / DSCP / port priority)
- Full support of VLAN and QinQ (802.1Q,802.1ad)
- Two independent Ethernet lines through radio link
- Ethernet port shutdown when the radio link is bad

Ethernet

- Full over voltage protection
- DIN rail or rack mount compatible
- Compact 1U rack unit for 3 injectors
- GX-824-POEINJ surge protected PoE injector and GX-824-PSU-ACDC 48 VDC power supply are not included in with link (to be ordered separately)

PRODUCT MODELS

		PART NUMBER
GX-824-SM-LNK-A30	Tsunami GX-824 Link, 920 Mbps FD, Gigabit Eth + SM Fiber, 1 ft – 30 cm antenna	952-00315
GX-824-MM-LNK-A30	Tsunami GX-824 Link, 920 Mbps FD, Gigabit Eth + MM Fiber, 1 ft – 30 cm antenna	952-00316
GX-824-SM-LNK-A60	Tsunami GX-824 Link, 920 Mbps FD, Gigabit Eth + SM Fiber, 2 ft – 60 cm antenna	952-00317
GX-824-MM-LNK-A60	Tsunami GX-824 Link, 920 Mbps FD, Gigabit Eth + MM Fiber, 2 ft – 60 cm antenna	952-00318
GX-824-SM-LNK-A90	Tsunami GX-824 Link, 920 Mbps FD, Gigabit Eth + SM Fiber, 3 ft – 90 cm antenna	952-00319
GX-824-MM-LNK-A90	Tsunami GX-824 Link, 920 Mbps FD, Gigabit Eth + MM Fiber, 3 ft – 90 cm antenna	952-00320
GX-824-SM-LNK-A120	Tsunami GX-824 Link, 920 Mbps FD, Gigabit Eth + SM Fiber, 4 ft – 120 cm antenna	952-00321
GX-824-MM-LNK-A120	Tsunami GX-824 Link, 920 Mbps FD, Gigabit Eth + MM Fiber, 4 ft – 120 cm antenna	952-00322

INTERFACES

ETHERNET	Two Gigabit Ethernet 1000Base-T (RJ45) Auto MDIX ports with 10k jumbo frame support One Optic Fiber 1000Base-SX / 1000Base-LX / 1000Base-BX port
MANAGEMENT	Diagnostic channel with Ethernet / RS-232 interface Antenna alignment voltage (BNC)
ANTENNA	Integrated with the ODU

RADIO & TRANSMISSION

MODULATION	QPSK, 8PSK, 16QAM, 32QAM, 64QAM, 128QAM, 256QAM, 1024QAM with Hitless adaptive coding & modulation (ACM)
FREQUENCY BANDS	Frequency Range 24.000 to 24.250GHz
CHANNEL BANDWIDTH	Wideband support. Configurable from 3.5 to 112 MHz
TX POWER	From -27 to +5 dBm
TX POWER CONTROL	Automatic Transmit Power Control (ATPC)

RX SENSITIVITY	Channel Size (MHz)	3.5 MHz	7 MHz	14 MHz	28 MHz	56 MHz	80 MHz	112 MHz
QPSK		-94	-91	-88	-85	-83	-81	-79
8PSK		-91	-88	-85	-81	-79	-77	-75
16QAM		-88	-85	-82	-78	-76	-75	-73
32QAM		-84	-82	-79	-75	-73	-71	-69
64QAM		-81	-79	-76	-72	-70	-68	-66
128QAM		-78	-76	-73	-69	-67	-65	-63
256QAM		-75	-73	-70	-66	-64	-62	-60
512QAM		-71	-70	-67	-64	-60	-58	-56
1024QAM		-68	-65	-63	-60	-57	-54	-52

ERROR CORRECTION	Reed-Solomon FEC and Convolutional Interleaver
FREQUENCY STABILITY	<10 ppm

ANTENNAS OPTION

Dual Polarity Antennas

- 1 foot – 30 centimeters, 35.5 dBi
- 2 foot – 60 centimeters, 41 dBi
- 3 foot – 90 centimeters, 44 dBi
- 4 foot – 120 centimeters, 46 dBi

MANAGEMENT

LOCAL	RS-232 interface
REMOTE	Proprietary GX-824 Manager, telnet (CLI)
SNMP	SNMP v1, Enterprise MIB
OTHER	Spectrum Analyzer

SECURITY

ENCRYPTION	AES 256 bits
------------	--------------

NETWORK

MODES	1+0, 1+1 SD/FD (protected) or 2+0 (true aggregate)
CONFIGURATION SCHEME	900 Mbps full duplex (1800 Mbps true aggregate)
THROUGHPUT CAPACITY	<90 μs @ 900 Mbps
LATENCY	4 queues based on physical port, 802.1p tag or IP DiffServ
QOS	802.1Q (4096 VLAN IDs) and QinQ
VLAN	

POWER

POWER INPUT	48 VDC (support from 36 to 72 VDC)
MAX POWER CONSUMPTION	Up to 27 W

ENVIRONMENTAL SPECS

OPERATING TEMPERATURE	RELATIVE HUMIDITY	IP RATING, WIND LOADING
31 to +131 °F (-35 to +55°C)	100%	IP65, 70 Mph (112 km/h) Operational, 125 Mph (200 km/h) Survival

PHYSICAL SPECS

DIMENSIONS	WEIGHT
5.2 x 10 x 11.8 in. (133 x 255 x 301 mm)	11.2 lbs (5.1 kg) without antenna

PACKAGE CONTENTS

- Two Tsunami® GX-824 ODU
- Two antennas
- Two Mounting Kits
- One Quick Installation Guide

OPTIONS

		PART NUMBER
GX-824-PSU-ACDC	110 – 220 VAC to -48 VDC Power Supply Unit for GX-824	949-00130
GX-824-POEINJ	Surge Protected PoE injector (-48 VDC input) for GX-824	949-00131
GX-824-CAP-SM	SM Fiber weatherproofing cap for GX-824	949-00136
GX-824-CAP-MM	MM Fiber weatherproofing cap for GX-824	949-00137

WARRANTY

2 year parts and labor. ServPak Extended Support available